

FULL RANGE SOUND OUTPUT

Speaker type
6" dual-concentric speaker

Nominal impedance
8 Ω

Crossover
two way on board

Frequency range
38-20.000 Hz (-6dB)

Sensitivity (1W-1m)
89 dB

Speaker Peak Power
300W

Speaker RMS Power
150W

Recommended amplifier power
200W (Class D)

SUBWOOFER SOUND OUTPUT

Speaker type
6" Woofer

Nominal impedance
8 Ω

Crossover
no crossover on board - DSP needed (HP 35 Hz 12dB/oct min; LP 120 Hz 12 dB/oct min)

Frequency range
38 -150 Hz (-6dB)

Sensitivity (1W-1m)
89 dB

Speaker Peak Power
300W

Speaker RMS Power
150W

Recommended amplifier power
200W (Class D)

SPECIFICATIONS

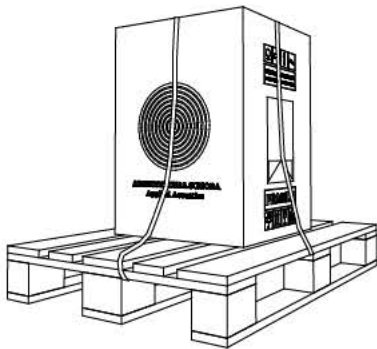
Material
marble, travertine, concrete, wood

Base material
stainless steel, brass, painted steel

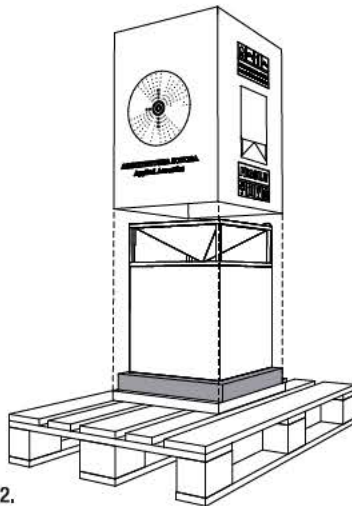
Dimensions
400 x 400 x 570 mm

Weight
139 kg (marble)

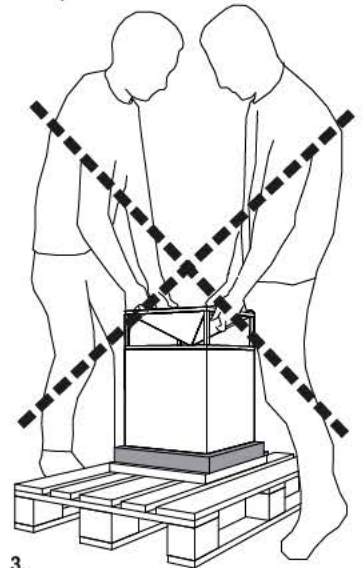
Unpacking: to remove the Cube from the shipping box carefully follow these steps



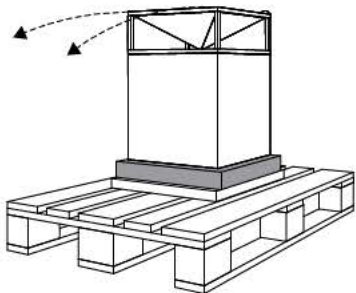
1. Due to its size and weight, the Cube is shipped in a box secured to a pallet with strapping to allow its handling and movement into position with a forklift.



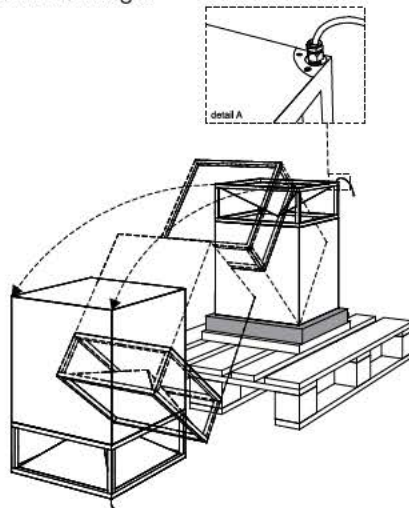
2. After removing the strapping securing the box to the pallet, lift and remove the box like in the image.



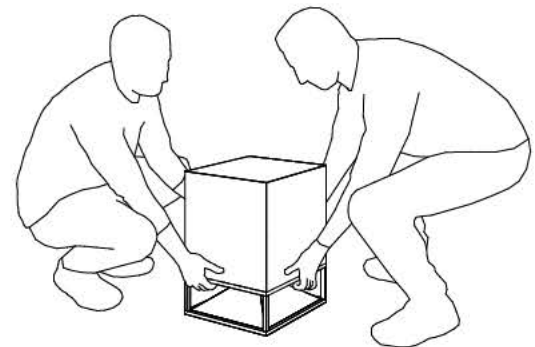
3. NEVER lift the speaker by its base, but only by its body, once it is turned into position!



4. Remove the foam packing protecting the module inside the box. Holding the Cube from the metal base gently turn the module, tilting it into position.

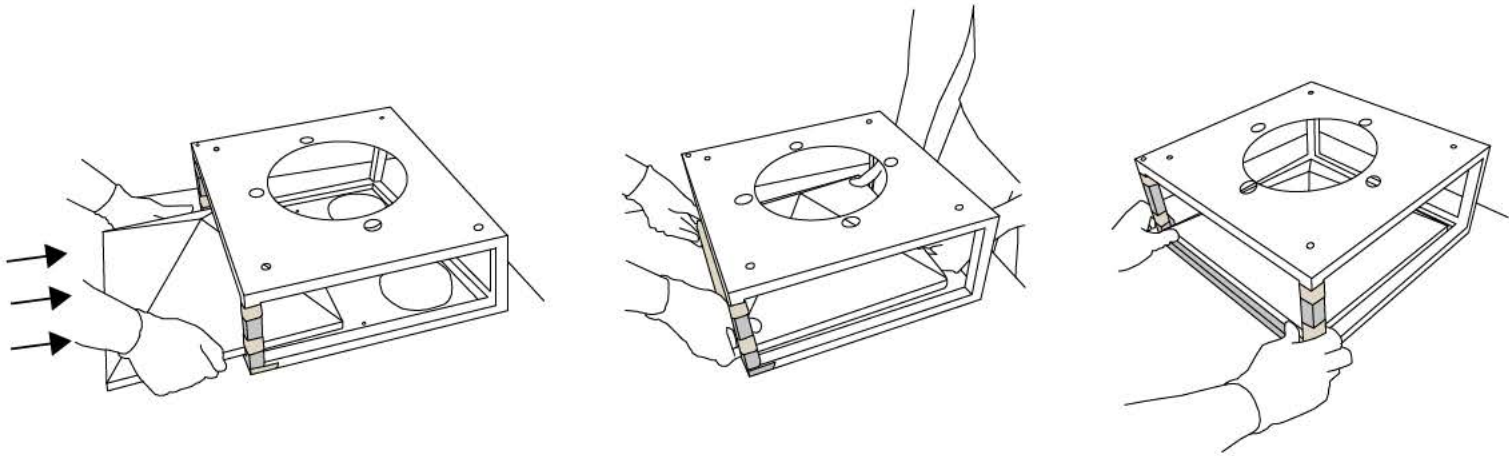


5. While turning the module, pay particular attention not to squeeze and damage the conduit and the cable sticking out below the base; the conduit must be accommodated in a special slot in the ground.



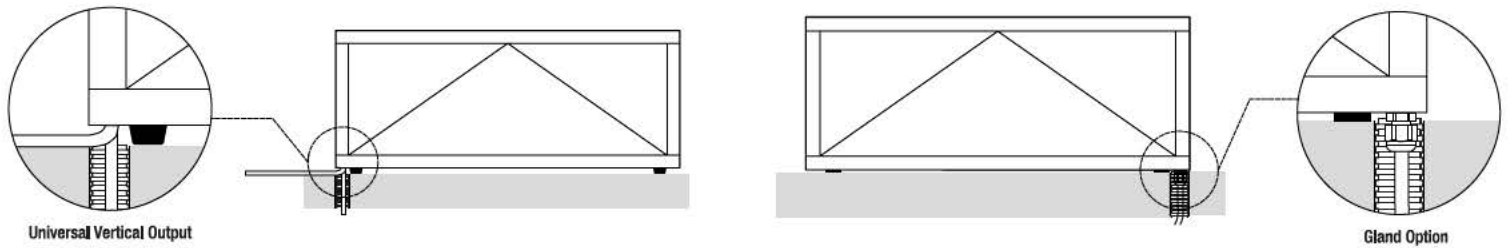
6. Set the speaker in its final position lifting it by its body. Do not drag into position but always lift it as in the figure above.

Concrete deflector installation: for properly installing the concrete deflector into the base of the Cube, AS delivers the metal frame pre-arranged with special protections to avoid the risk to scratch the base. Slip the deflector inside the frame from the side properly protected, and gently set it into position. Remove the protection when done.

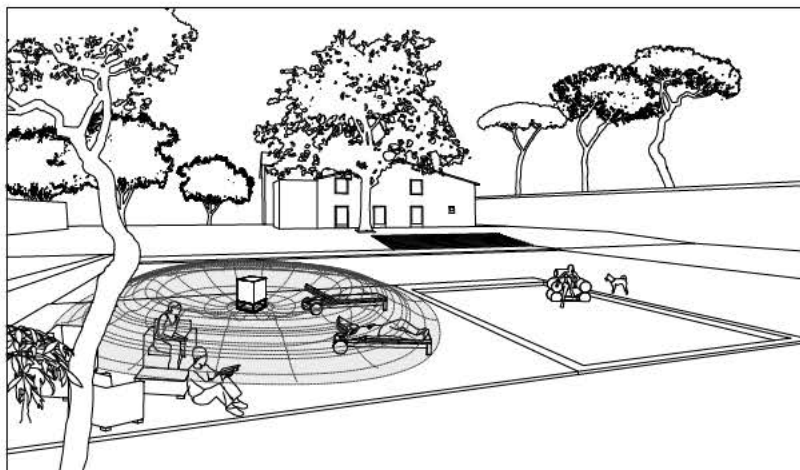


Output cable: Cube's bases can have two types of output cable:

- **Universal Vertical Output** is suitable for both indoor and outdoor installations when cable arrives horizontally or underground. For outdoor underground installation it is strictly recommended the "Gland Option" base.
- **Gland Option** is strictly recommended for outdoor installations when cables run underground and the gland (higher than the rubber feet) can be inserted into the cable hole.



Diffusion and directionality:



Cubes are characterized by a dual-concentric 6" transducer, where the mid-woofer and the tweeter share the same axis, to achieve a virtually punctiform source, linear and time coherent, which, combined with the deflection system, ensures an ideal omnidirectional emission. The result is a very natural sound, not constrained to any fixed and obligated listening positions, with an amazing quality and clarity unusual in outdoor environments.

It is recommended to place these modules, either indoor or outdoor, directly on the floor; indoor it is usually recommendable to position them at least 0,6-1 meter from each wall to enhance soundstage and clarity.

Maintenance and care: to keep your speakers beautiful as long as possible, we warmly recommend doing maintenance at least once a year. When not in use, sound modules should be appropriately covered or stored away; heavy duty protective covers are available from AS. Please refer to the General Manual for appropriate instructions and note that any departure from our recommendations on care and cleaning, or any evidence of misuse or damages from ordinary wear and tear, will void all warranty claims.