



# ARCHITETTURA SONORA AMPLIFIERS USER'S MANUAL





## Index

1.	Important Safety Precautions	3
2.	Introduction	4
3.	User Instructions	4
4.	General Informations	5
5.	System Wiring	6
6.	Rack Mount Kit	7
7.	Possible Configurations	7
8.	Operation	8
9.	Troubleshooting	9
10.	Technical Specifications	10
11.	Maintenance	12
12.	End-of-life Product Disposal	12
13.	Warranty	12
14.	Declaration of Conformity	13

# 1. Important Safety Precautions



This symbol indicates the presence of important user instructions and information that should be given particular attention so as to use the product properly.



This symbol indicates the presence of “dangerous voltage” that may cause the risk of electric shock. Pay the utmost attention and proceed cautiously.



For a correct and safe use of **Architettura Sonora**'s amplifiers, to protect your own and other people's safety and to avoid invalidation of the product warranty, please read this section carefully before operating this product.

1. Follow carefully the attached documentation and keep it for future reference.
2. Comply with the warnings.
3. Carefully unpack and store the packaging, checking that all material is in excellent conditions.
4. Do not use water near the product; do not pour water or any other liquid on the amplifiers. Do not use it with wet hands or feet into the water.
5. Do not use next to heat sources such as radiators, stoves or other similar devices.
6. Check the integrity of the mains cable. Do not tread on the cable and do not squeeze the plug.
7. Connect the plug to a grounded socket equipped with grounding. Do not tamper with the plug. If the plug supplied is not compatible with your socket, please apply to an electrician for its replacement.
8. Connect to a mains supply with the same voltage as indicated on the back of the amplifier.
9. Install the amplifiers in compliance with the instructions.
10. Do not obstruct the air ducts.
11. Disconnect the appliance in case of storm and if unused.
12. Connect according to the instructions only.
13. Do not connect an input signal higher than that indicated in the manual.
14. Do not connect the amplifier output to the input of another amplifier.
15. Do not connect any output of the amplifier to power sources such as battery, voltage supply or outlet, regardless of whether the amplifier is ON or OFF.
16. Keep the volume controls to a minimum during the amplifier switching ON/OFF.
17. Do not remove the upper cover: there is a risk of electric shock.
18. Do not try to self-repair the appliance, but apply to qualified personnel.
19. Clean with a dry cloth only.
20. Careful supervision is necessary if the product is used in the presence of children or inexperienced adults.
21. This product could produce sound levels which may cause hearing damage. Use the utmost care and do not operate at high volume level or at an uncomfortable level for a long time. Consult an audiometric specialist in case of hearing loss or complaints.

## 2. Introduction

Thank you for purchasing this **Architettura Sonora** power amplifier. AS amplifiers are multi-channel amplifiers designed specifically to drive the architectural loudspeakers manufactured by Architettura Sonora. Please read the following directions to obtain the best results.

**Architettura Sonora** power amplifiers feature class-D power modules, combining high sound quality and energy efficiency, and preamplifiers circuits based on the latest generation class-A VCA (Voltage Controlled Amplifiers).

The available configurations, diversified by number of channels and available power, allow to assemble, in the most simple way, sound systems from the most basic to the most complex.

The integrated amplifiers' available power and quality make them the ideal solution to be used in any application requiring to drive a large number of quality speakers.

Some models of amplifiers come with internal **DSP** (Digital Signal Processor), accessible only by trained personnel and pre-programmed in our laboratories according to the client's instructions and requirements.

All AS amplifiers have the Master Volume Control, which allows to adjust the volume of all output channels through the knob on the front panel.

**Unpacking >** IMPORTANT: Immediately inspect the package and its content in order to check whether there are any signs of damage that may have occurred during transit. After unpacking check the product in all its parts; if you notice any damage inform your dealer immediately. It is advisable to save the packaging materials even if the amplifier shows no sign of shipping damage; you might have to return it to Architettura Sonora or to one of its dealers. Use the original package only, which is the best way to protect the equipment from shipping mishandling.

Check the contents of the package:

- 1 amplifier;
- 1 copy of the user manual;
- 1 rack mounting brackets set (see chapter 6);
- 1 power supply cable;
- 1 bag containing a number of Neutrik® SpeakON NL4 connectors sufficient for wiring the loudspeaker.

**Installation/Assembly >** The unit may be used free-standing, installed in either a rack cabinet or a flight-case box. All models may be installed in a 19" standard rack stand through the proper rack mounting brackets provided into the box.



When the unit is installed in a cabinet or in a case, make sure that the flow of air, necessary for proper cooling, is not obstructed.

Do not block the air vents on side panels.

Avoid installation in places with high temperatures, dust, excessive humidity or water next to the devices, presence of strong magnetic fields and vibrations.

Close, using blank rack panels, any open space in the rack.

Leave the rear of the rack open. If this is not possible, install a suitable hot air exhaust system.

The high current drain of very high power amplifiers requires an adequate system for AC mains power supply.

It is thus mandatory to use a suitable electrical panel, built in compliance with the applicable country-specific, technical and safety regulations, tested by a qualified technician.

## 3. User Instructions

**Maximum Power Consumption >** Check whether there is enough mains power to supply the amplifier (refer to the data at the end of this manual). Please ensure that the voltage of the mains supply complies with the label found at the back of the amplifier. Maximum power consumption is limited solely through the internal fuses.

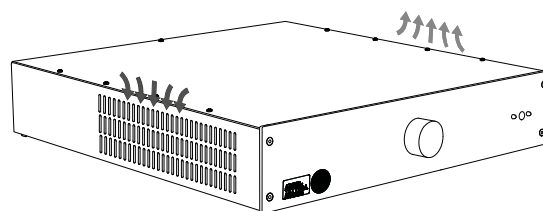


Warning: before any audio connection keep in mind that the regular procedure is to turn off the amplifier, unplug it from the mains and set the volume control to the minimum during start up.

**Cooling >** Pay particular attention to the ventilation/cooling conditions of the amplifier. An internal system of forced airflow, by a variable speed fan, allows cooling from the heat generated by power parts; the fan automatically runs faster when the amp is working hard.



**Do not block the lateral air vents!**



The airflow is directed through the ventilation grills on the side panels of the amplifier; make sure that the ventilation grills are clear of obstructions and pay particular attention to leave at least 20 mm from the unit's sides and the cabinet side walls. If the amplifier is installed in a rack cabinet make sure there is enough air clearance: air should easily flow through the amplifier and meet no resistance.

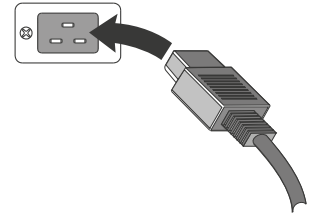
## AC Mains Power Cable > Connect AC power to the IEC socket on the back of the amplifier.

NOTE: Turn off the AC power switch before connecting AC power.

Connect the AC mains plug to a suitable AC mains outlet.



Orient the IEC connector with the connector prongs in the socket, then push the connector firmly into the IEC socket until fully seated.



The high current drain of the AS amplifiers demand the use of an adequate AC connector. The cord supplied with the amplifier has the required characteristics.

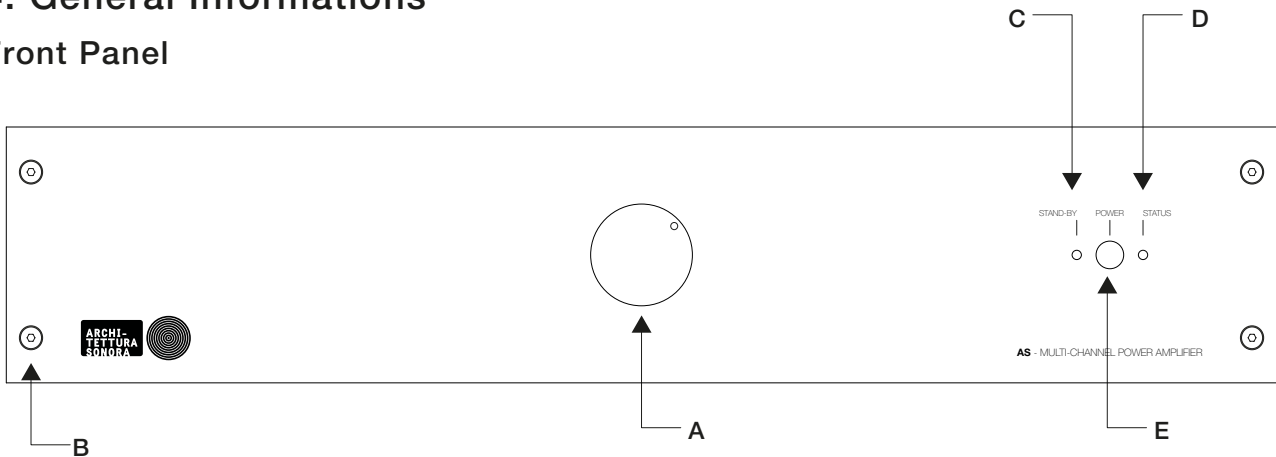
In case it is unavailable or needs to be replaced, choose a replacement cable with equivalent specifications, labeled with the safety certification marking in force in the country of installation.

When installing the unit in places accessible to the general public, the cable insulation must be of the fire-retardant, low-smoke zero-halogen (LSZH) type. Country-specific technical regulations may apply. We suggest consulting a qualified supplier for the cable selection.

In case the mains plug needs to be replaced, have it installed by a qualified technician, who should select a plug with the proper specifications and labeled with all suitable safety certification markings in force in the country of installation.

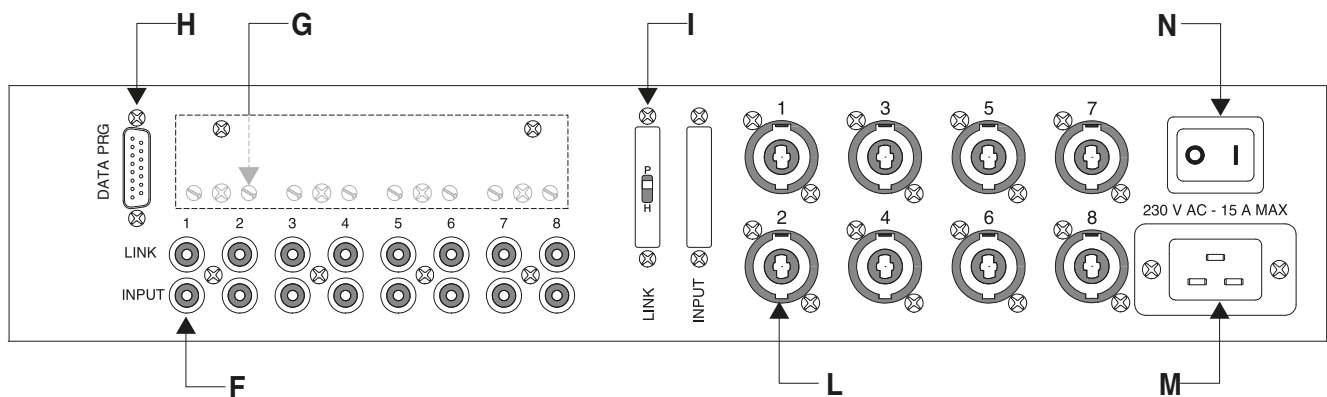
## 4. General Informations

### Front Panel



- A. Master volume control.
- B. Standard rack handles holes (racks mounting brackets provided).
- C. Dual-color Stand-By power LED.
- D. Dual-color Status power LED.
- E. Power button.

### Rear Panel

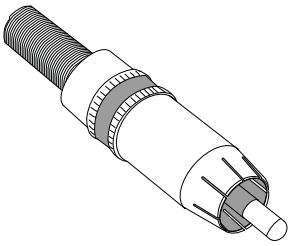


- F. RCA unbalanced inputs and LINK outputs.
- G. Channel's gain adjustment trimmers: they are covered by a protective cover and the adjustment are done (if required) at the initial set-up. They are not intended as user-accessible controls. The user may adjust the master volume level using the front panel's control.
- H. Data Prg connector for DSP programming (accessible only by trained personnel).
- I. Pro/Home switch
- L. Power amplifiers' output Neutrik SpeakON connectors for wiring the sonic modules.
- M. AC mains inlet for power cable.
- N. Mains power switch.

## 5. System Wiring

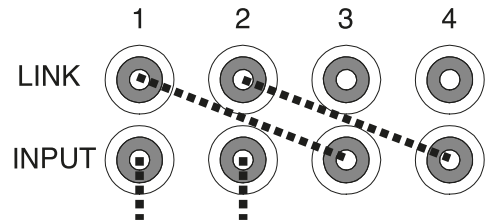
All AS amplifiers are multichannel, i.e. each output channel (speaker) has an independent input connector, which is the perfect solution to manage different acoustic areas or to create environmental music with different sounds.

**Input Connection >** The connection of the music source to the amplifier is via RCA connectors (Input). The same source can be repeated using the Link outputs; by connecting with a RCA-RCA cable Link\_1 to Input\_2 it repeats the same source to speakers 1 and 2.

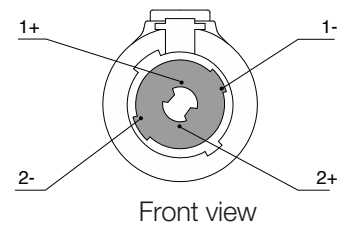
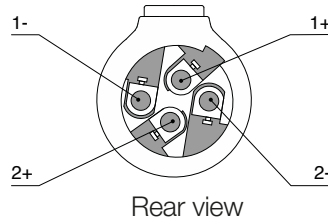
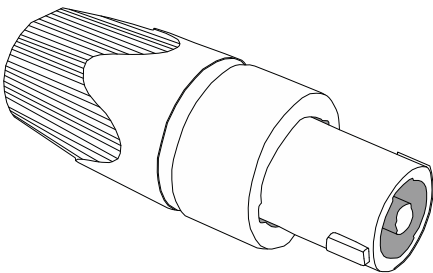


RCA connectors

Use screened cables,  
1 conductor + screen, wired to RCA pins.



**Output Connection >** For a simpler approach, we recommend using 2-conductor or 4-conductor cables wired to Neutrik speakON NL4 series plugs.



Each cable conductor must have the minimum cross section shown on the following table.

The cables must be of adequate quality, with a flexible insulation, suitable for the installation's environmental conditions, and with sufficient copper section to minimize power loss.

Cable length	Single conductor's cross section
up to 20m	1,5 - 2,5 mm <sup>2</sup>
20m - 50m	2,5 - 3,5 mm <sup>2</sup>
more than 50m	4 - 6 mm <sup>2</sup>



**ATTENTION:** the output's connectors screw terminals and the output cables may be at a dangerous voltage value.  
Make all wiring with the amplifier switched off.  
Wire the output cables before plugging the connectors to the amplifier.  
Complete the speakON plugs' assembly, installing the protective sleeve, before plugging them in the amplifier's sockets.  
Never leave any output conductor un-insulated or accessible to the hand.



**ATTENTION:** the amplifiers are BTL (bridged) type.  
The output socket's negative terminals are not connected to ground and it does not exist any common terminal in the outputs (both negative or positive).  
**DO NOT CONNECT** any output terminal to any other: doing this may result in a failure of the power amplifier's output stages.



**NOTE:** all the following drawings refers to a Neutrik NL-4 FC series SPX cable connector. Other model or other manufacturer's connectors may have a slightly different aspect, so always refer to the pin numbers printed on the connector's body.

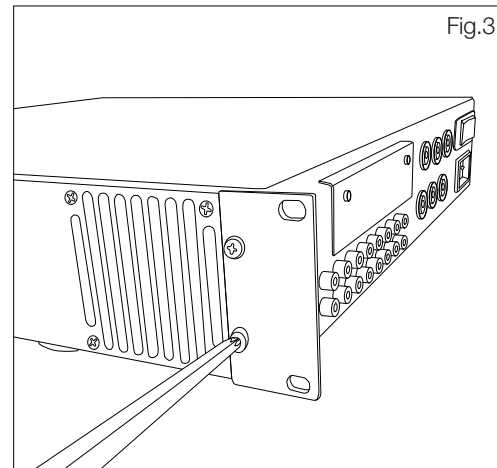
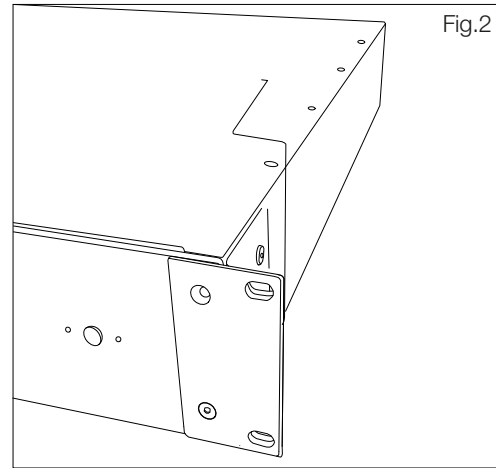
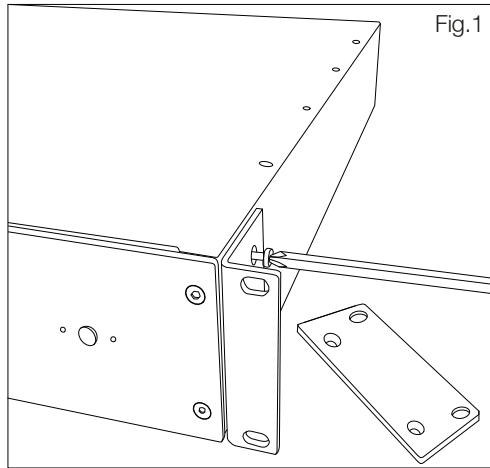
## 6. Rack Mount Kit

The Rack Mount Kit provides a mounting solution for AS amplifiers in industry standard 19" equipment racks.

After disconnecting the amplifier from electrical source, remove the felt and unscrew the plastic feet on the bottom. Align the provided "L" shaped rack ears to the chassis holes on each side, as shown in image 1, and secure with the screws provided in the kit.

Remove, one side at a time, the Allen screws from the front panel, and align the front extension plate to the holes and to the rack ear previously placed, then tighten to secure the screws back in position, as shown in image 2; secure firmly, do not over tighten.

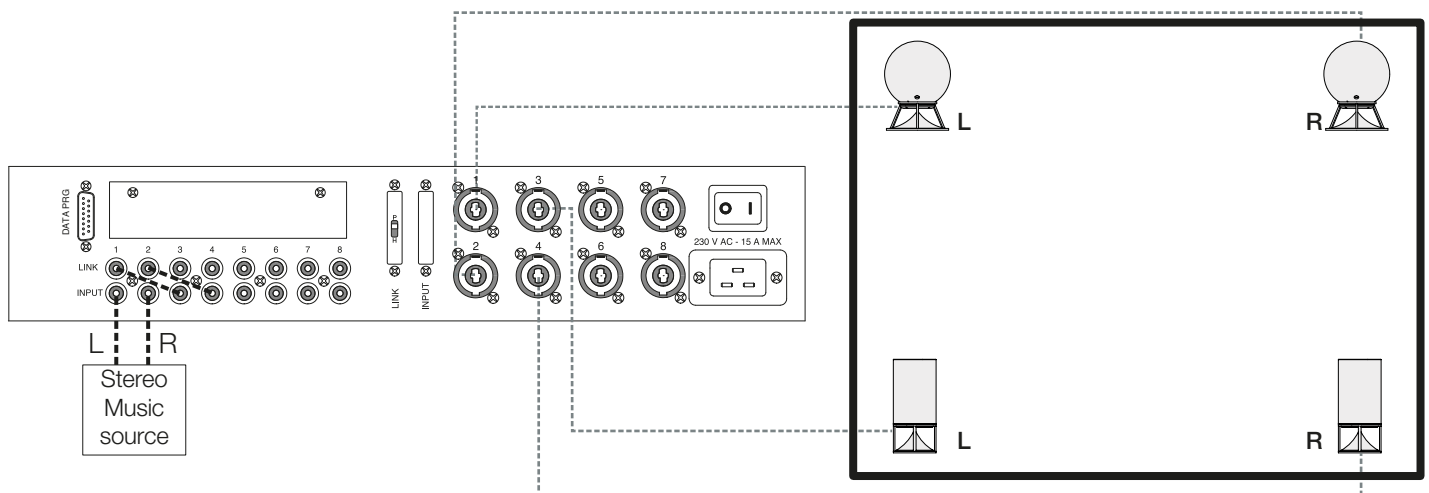
Place the back extension plates aligned with the chassis holes in either side of the chassis and secure it back with the provided screws, do not over tighten.



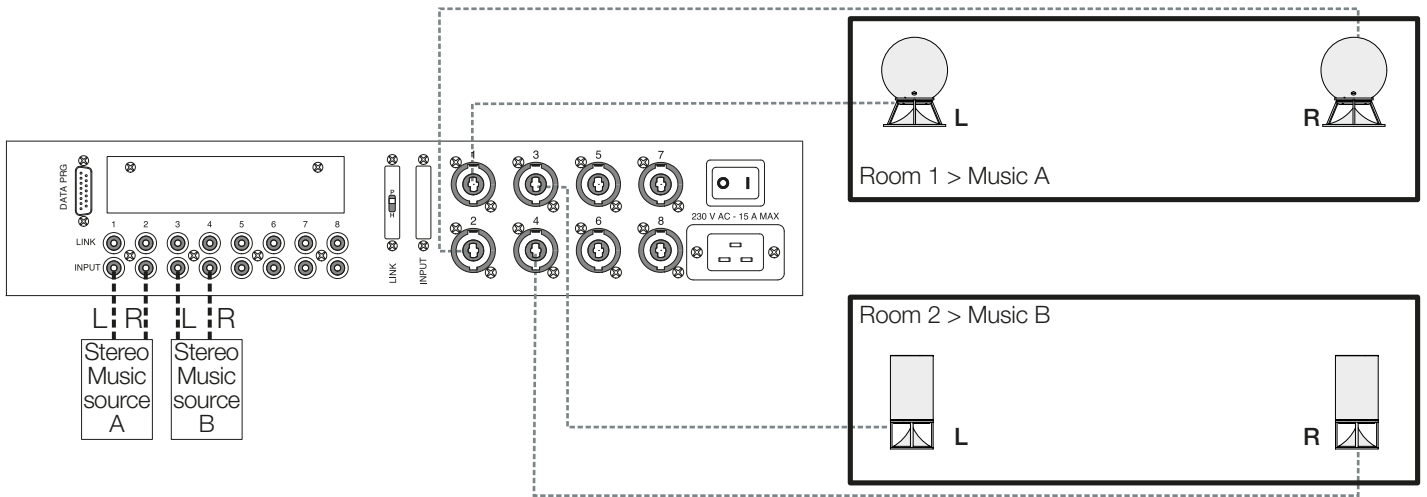
## 7. Possible Configurations

Architettura Sonora has revolutionized the multidimensional sound experience with his collection of loudspeaker and with its line of amplifiers enhancing that experience. Following some possible configurations intended as general guidelines, covering a standard listening space. These guidelines do not cover all possible variables and factors present to a specific installation; adaptations and deviations may be required in particular situations.

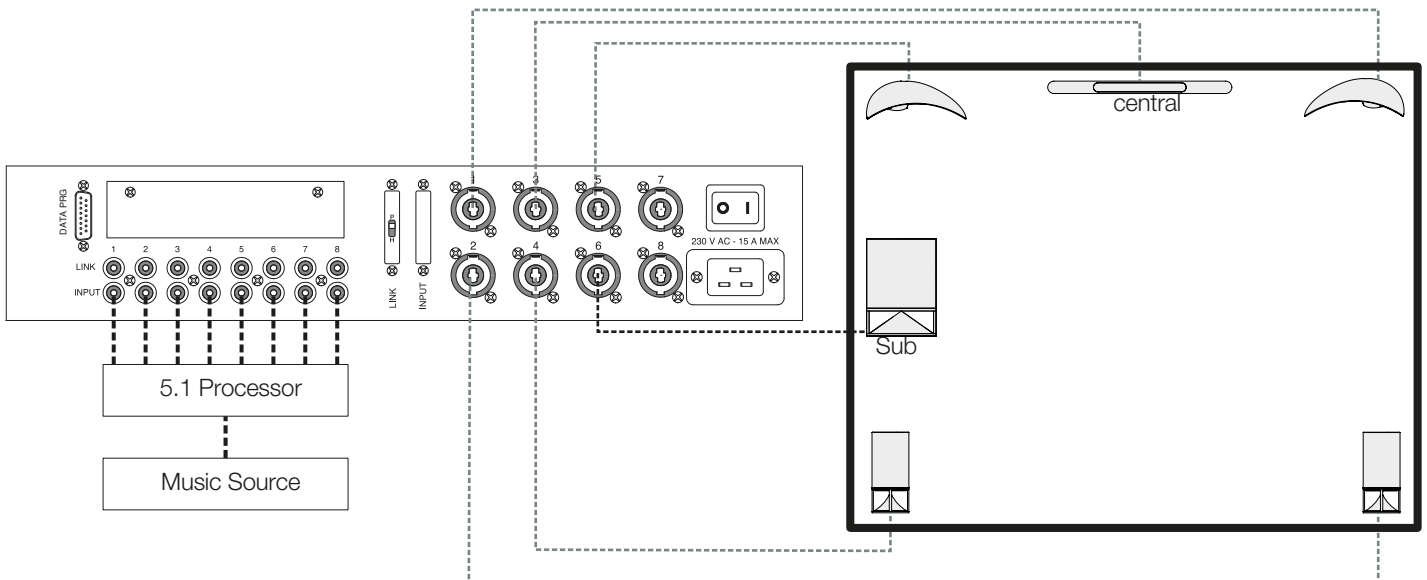
### Stereo Configuration >



## Multi-room / multi-source Configuration >

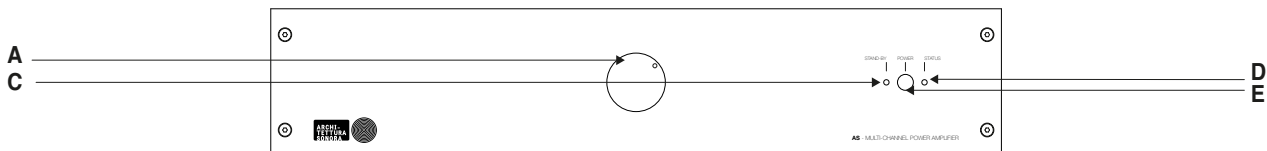


## 5.1 Surround Configuration >



## 8. Operation

After completion of installation and wiring, as described in the previous paragraphs, switch the amplifier ON by actuating the rear mains switch (N).



"STATUS" power LED (D) indicates the status of the amplifier: green everything is OK, yellow if the amplifier is in "MUTE", red if one or more of the amplifier modules is off or defective.

"STAND-BY" power LED (C) indicates the status of the POWER command (E): green the amplifier is enabled (ACTIVE), yellow if it is disabled (MUTE)

Pressing the POWER button switches from the MUTE (amplifier disabled) to the ACTIVE state (amplifier enabled)

The rear P/H switch (I) determines the status of the amplifier when turned on. It has two positions: P (Pro) and H (Home)



Position P > the amplifier is active when switched on, after the initial delay.

The Status LED changes from yellow (mute) to green (active) automatically after the initial delay.

When turning the amplifier on the Status LED is yellow for about 2 seconds (delay), or red if one or more of the amplifier modules are off or defective.

After 2 seconds: Green> amplifier Active

Pressing the power button (E) > MUTE, both LED yellow, all channels in MUTE

Pressing the power button (E) > ENABLE, both LED green, All channels ACTIVE

Position H > the amplifier is Mute when switched on, and must be activated by pressing the POWER button (E).

When turning the amplifier on the Status LED is yellow or red if one or more channels are off or defective.

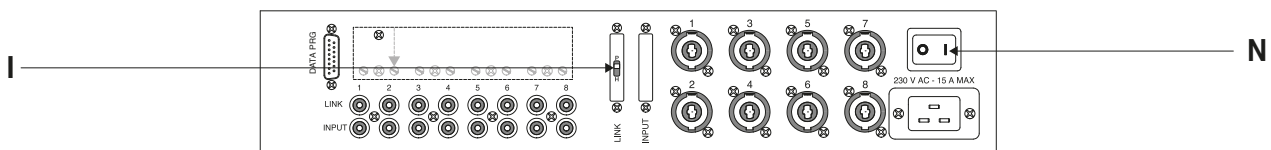
The Stand-By LED is yellow: all channels disabled.

Pressing the button Power (E) > ENABLE: both LED green, all channels ACTIVE

Pressing the button Power (E) > MUTE: both LED yellow, all channels in MUTE

The only user accessible control is the front panel master volume control (A).

Listening level adjustment is preferably done by acting on other system's control.



## 9. Troubleshooting

### CONDITION: Power indicator is off.

- The amplifier has lost AC power.
- The amplifier is not plugged into the power receptacle.
- The amplifier's power switch is off.

### CONDITION: Power indicator is bright green.

- Amplifier is ready to pass a signal.

### CONDITION: Power indicator is red.

- One or more power modules are off.
- One amplifier channel has stopped operating.

REFER THE UNIT TO ARCHITETTURA SONORA SERVICE CENTER

### CONDITION: Power indicator is blinking from green to red.

- One or more modules are operating outside their rated specifications' range. Reduce the master volume's value. If the problem persists contact ARCHITETTURA SONORA SERVICE CENTER.

### CONDITION: Amplifier turns off when playing.

- Thermal failure. The amplifier is too hot for safe operation. Allow amplifier to cool. Check for load less than 3 ohm, and for excessive input level. Check for proper ventilation.

### CONDITION: No sound, even though the amp has power. Power led is green and the amp is receiving an input signal.

- Speaker not connected.
- Check speakON wiring.
- Open circuit due to speaker failure.
- The input wiring is defective or unconnected.
- There is a short circuit on the amplifier output. First disconnect your speakers from the affected channel(s) one by one to determine if one of the loads is shorted.

## 10. Technical Specifications

Model	ASM2 / ASM2EVO	ASH3 / ASH3EVO
<b>Rated power output</b> ( $< 1\%$ THD+N, 20Hz – 20kHz)	4 $\Omega$ 2 ch $\times$ 1100 W	2 ch $\times$ 450 W + 1 ch $\times$ 1100 W
	8 $\Omega$ 2 ch $\times$ 550 W	2 ch $\times$ 250 W + 1 ch $\times$ 550 W
<b>Frequency response</b> ( $\pm 0.3 \div \pm 0.7$ dB)	20 Hz – 20 kHz	20 Hz – 20 kHz
<b>THD + N at rated output power</b> (1W, 1kHz, 8 $\Omega$ )	$< 0.3\%$	$< 0.1\%$ (250 W channels) $< 0.3\%$ (1100 W channel)
<b>Damping factor</b> (8 $\Omega$ , 100Hz)	$> 600$	$> 600$
<b>Dynamic range</b> (A-weighted)	119 dB(A)	125 dB(A) (250 W channels) 119 dB(A) (1100 W channel)
<b>Input connectors</b>	Unbalanced input: type RCA socket Input sensitivity: +3 dBV (1.4 Vrms) Input impedance: 100 k $\Omega$	Unbalanced input: type RCA socket Input sensitivity: +3 dBV (1.4 Vrms) Input impedance: 100 k $\Omega$
<b>Output connectors</b>	4 pole Neutrik <sup>®</sup> speakON	4 pole Neutrik <sup>®</sup> speakON
<b>Led indicators</b>	Active status: Green (ON) / Red (FAULT) Mute status: Orange	Active status: Green (ON) / Red (FAULT) Mute status: Orange
<b>Output circuitry</b>	Class D – ICEpower <sup>®</sup> Technology	Class D – ICEpower <sup>®</sup> Technology
<b>DSP</b>	NO (ASM2)	NO (ASH3)
	On board (ASM2EVO)	On board (ASH3EVO)
<b>Cooling</b>	Thermal controlled low noise fan Side-to-side air flow	Thermal controlled low noise fan Side-to-side air flow
<b>Max AC current draw</b>	16 A @ 230 V (3450 VA)	16 A @ 230 V (3450 VA)
<b>AC main connector</b>	Panel socket type C20 (IEC 60320) – 16 A	Panel socket type C20 (IEC 60320) – 16 A
<b>AC power cable</b>	Amplifier: plug type C19 (IEC 60320) – 16 A, Plug type IEC 7/7 hybrid, 3 conductor cable 3 $\times$ 1.5 mm <sup>2</sup>	Amplifier: plug type C19 (IEC 60320) – 16 A, Plug type IEC 7/7 hybrid, 3 conductor cable 3 $\times$ 1.5 mm <sup>2</sup>
<b>Power requirements</b>	170-264 VAC - 45/65 Hz Operation at 85-132 VAC is possible after internal modification. Consult factory if needed.	170-264 VAC - 45/65 Hz Operation at 85-132 VAC is possible after internal modification. Consult factory if needed.
<b>Main fuse</b>	Internal master fuse: type 16 A T (time-delayed type) 6.3 $\times$ 30 mm Each power amplifier module is protected by an independent fuse FUSES ARE NOT USER-REPLACEABLE	Internal master fuse: type 16 A T (time-delayed type) 6.3 $\times$ 30 mm Each power amplifier module is protected by an independent fuse FUSES ARE NOT USER-REPLACEABLE
<b>Dimensions</b> (W $\times$ H $\times$ D)	437 $\times$ 88 $\times$ 466 mm (2RU – 19")	437 $\times$ 88 $\times$ 466 mm (2RU – 19")
<b>Net weight</b>	12 kg	12 kg

ASC4 / ASC4EVO	ASC6 / ASC6EVO	ASD8
4 ch × 450 W	6 ch × 450 W	8 ch × 200 W
4 ch × 250 W	6 ch × 250 W	8 ch × 120 W
20 Hz – 20 kHz	20 Hz – 20 kHz	20 Hz – 20 kHz
<0.1%	<0.1%	<0.1%
> 500	> 500	> 500
125 dB(A)	125 dB(A)	125 dB(A)
Unbalanced input: type RCA socket Input sensitivity: +3 dBV (1.4 Vrms) Input impedance: 100 kΩ	Unbalanced input: type RCA socket Input sensitivity: +3 dBV (1.4 Vrms) Input impedance: 100 kΩ	Unbalanced input: type RCA socket Input sensitivity: +3 dBV (1.4 Vrms) Input impedance: 100 kΩ
4 pole Neutrik®speakON	4 pole Neutrik®speakON	4 pole Neutrik®speakON
Active status: Green (ON) / Red (FAULT) Mute status: Orange	Active status: Green (ON) / Red (FAULT) Mute status: Orange	Active status: Green (ON) / Red (FAULT) Mute status: Orange
Class D – ICEpower® Technology	Class D – ICEpower® Technology	Class D – ICEpower® Technology
NO (ASC4)	NO (ASC6)	NO
On board (ASC4EVO)	On board (ASC6EVO)	
Thermal controlled low noise fan Side-to-side air flow	Thermal controlled low noise fan Side-to-side air flow	Thermal controlled low noise fan Side-to-side air flow
10 A @ 230 V (2300 VA)	16 A @ 230 V (3450 VA)	10 A @ 230 V (3450 VA)
Panel socket type C14 (IEC 60320) – 10 A	Panel socket type C20 (IEC 60320) – 16 A	Panel socket type C14 (IEC 60320) – 10 A
Amplifier: plug type C13 (IEC 60320) – 10 A, Plug type IEC 7/7 hybrid, 3 conductor cable 3 × 1.0 mm <sup>2</sup>	Amplifier: plug type C19 (IEC 60320) – 16 A, Plug type IEC 7/7 hybrid, 3 conductor cable 3 × 1.5 mm <sup>2</sup>	Amplifier: plug type C13 (IEC 60320) – 10 A, Plug type IEC 7/7 hybrid, 3 conductor cable 3 × 1.0 mm <sup>2</sup>
170-264 VAC - 45/65 Hz Operation at 85-132 VAC is possible after internal modification. Consult factory if needed.	170-264 VAC - 45/65 Hz Operation at 85-132 VAC is possible after internal modification. Consult factory if needed.	170-264 VAC - 45/65 Hz Operation at 85-132 VAC is possible after internal modification. Consult factory if needed.
Internal master fuse: type 10 A T (time-delayed type) 6.3 × 30 mm Each power amplifier module is protected by an independent fuse FUSES ARE NOT USER-REPLACEABLE	Internal master fuse: type 16 A T (time-delayed type) 6.3 × 30 mm Each power amplifier module is protected by an independent fuse FUSES ARE NOT USER-REPLACEABLE	Internal master fuse: type 10 A T (time-delayed type) 6.3 × 30 mm Each power amplifier module is protected by an independent fuse FUSES ARE NOT USER-REPLACEABLE
437 × 88 × 466 mm (2RU – 19")	437 × 88 × 466 mm (2RU – 19")	437 × 88 × 466 mm (2RU – 19")
9,2 kg	10 kg	10 kg

## 11. Maintenance

The only user-reserved maintenance operations are:

- cleaning of the unit external surfaces using a soft, dry cloth (absolutely avoid the use of water, chemical detergents and solvents);
- cleaning of the side panel's ventilation grilles. If the unit is installed in a rack cabinet that must be opened using any type of tool, reserve this operation to a qualified technician.

## 12. End-of-life Product Disposal

### Correct Disposal of this product (WEEE: Waste Electrical & Electronic Equipment)

(Applicable in the European Union and other European countries with separate collection systems)

This marking shown on the product or its literature indicates that it shall not be disposed with other household wastes at the end of its working life. To prevent possible harm to the environment or human health from uncontrolled waste disposal, please separate this from other types of wastes and recycle it responsibly to promote the sustainable reuse of material resources.



User should contact either the distributor who supplied this product, or the local government or city office for details on where and how they can take this item for environmentally safe recycling.

For more detailed information about recycling of this product, please contact your local city office, your household waste disposal service or the supplier of the product.

This product should not be mixed with other commercial or household wastes for disposal.

## 13. Warranty

AS amplifiers are guaranteed against malfunction due to defects for a specified period, as set in the following statement, starting from the date of original purchase. Should a malfunction occur during the warranty period, the product will be repaired or replaced (at manufacturer's discretion) free of charge. The transport charges, any relevant risks and miscarriages during the transport to the service centres, are at customer's charge. The product repaired under warranty will be returned at customer's expense (EXW).

### Warranty Terms

The warranty is valid for 2 years starting from the receipt of goods.

Architettura Sonora reserves the right, in some cases, to decide the replacement of a product with an identical or similar one. In case of failure, the product replacement and warranty extension are excluded. The guarantee does not pay for incidental or consequential damages, without limitation, caused to persons or property during the period of possible product inefficiency.

### Exclusions and Limitations

The warranty does not apply to:

- exterior finishing and damages to electric/electronic parts resulting from negligent use of the product;
- malfunction due to misuse/abuse of the product or due to transports without care;
- repairing performed by unauthorized personnel;
- modifying or tampering with amplifier's internal components;
- product faults due to circumstances that can not be ascribed to manufacturing defects;
- as regards to circuit components (transistors, diodes, etc...) the general terms set by the manufacturers are applied.

In addition, the warranty does not cover:

- damages caused by accidents, product modification, negligence or wrong connection;
- damages occurred during the transport;
- damages resulting from failure to comply with the instructions included in the manual;
- claims based upon any misrepresentations by the seller;

### Obtaining Warranty Service

To obtain the repair or replacement of the product under warranty, the customer must return the product packed in the original cardboard box to the authorized centre, together with relevant proof of purchase: slip, bill of sale or invoice.

ARCHITETTURA SONORA

Via Poggiomoro 1 – Loc. Vallina

50012 BAGNO A RIPOLI (Firenze)

Telephone: +39-055-65721 - Fax: +39-055-6572312

Product repair, replacement or return to the customer are the only remedies provided for the customer. Architettura Sonora shall not be liable for incidental or consequential damages including, without limitation, injuries to persons or property or loss of use.

### Costs at Architettura Sonora Charge

Architettura Sonora will pay all labour and material expenses necessary for all repairs covered by the present warranty. Make sure to have saved the original packing, otherwise the requested cardboard box will be charged to you. Supply AS with the original invoice in order to establish the date of purchase. Do not return products to the factory without prior authorization. If the transport of the product presents any difficulty, you are kindly requested to inform the service centre on the matter and the personnel assigned will arrange it together with you. On the contrary, the customer is responsible for transporting the product to be repaired, for arranging its transport and for the payment of any shipping cost.

### Limitation of Implied Warranties

All implied warranties, including guarantee of merchantability and suitability for particular purpose, are limited in the duration of the present warranty. Architettura Sonora liability is limited to the repair or replacement, at its discretion, of any defective products and is not liable for any kind of incidental or consequential damages.

## 14. DECLARATION OF CONFORMITY



Rilasciato da : **B&C speakers S.p.A.**  
Issued by: **Via Poggiomoro, 1**  
**50012 Bagno a Ripoli (FI)**  
**Italy**

in qualità di: Produttore  
as: *Manufacturer*

Dichiara che i prodotti di seguito indicati:  
*Declares that the following products:*

Prodotto : Amplificatore di potenza audio multicanale  
*Equipment type: Multichannel audio power amplifier*

Serie : AS  
*Family name:*

modelli: ASM2, ASM2EVO, ASH3, ASH3EVO, ASC4, ASC4EVO, ASC6, ASC6EVO, ASD8  
*models: ASM2, ASM2EVO, ASH3, ASH3EVO, ASC4, ASC4EVO, ASC6, ASC6EVO, ASD8*

ai quali questa dichiarazione si riferisce sono conformi alle seguenti norme o altri documenti normativi:  
*to which this declaration relates are in conformity with the following standards or other normative documents:*

- Compatibilità elettromagnetica : **EN55103-1: 2011**
- *Electromagnetic Compatibility:* **EN55103-2: 2011**  
**EN61000-3-2: 2007**  
**EN55022: 2006**  
**EN61000-4-2: 2001**  
**EN61000-4-3: 2006**  
**EN61000-4-4: 2007**  
**EN61000-4-5: 2006**  
**EN61000-4-6: 2006**
  
- Sicurezza dei prodotti elettrici : **CEI EN:60065: 2004 ed. 8**
- *Electrical products safety:*

e sono quindi rispondenti ai requisiti essenziali delle Direttive del Consiglio della U.E:  
*and they conform to the requirements of the E.U. Council Directives:*

- Compatibilità elettromagnetica **(2004/108/CE)**
- *Elettromagnetic compatibility* **(2004/108/EEC)**
  
- Direttiva bassa tensione **(2006/95/CEE)**
- *Low voltage Directive* **(2006/95/EEC)**

data : 2017/12/20  
*date of issue: 2017/12/20*

Firma   
*Signed:*

Titolo: Amministratore Delegato  
*Title: C.E.O.*

**ARCHITETTURA SONORA**  
a division of **B&C SPEAKERS**

via del Fornaccio, 44 - Vallina  
50012 - Bagno a Ripoli (FI) - Italy  
Tel +39 055 65721  
Fax +39 055 6572312  
info@architetturasonora.com  
www.architetturasonora.com

**ARCHI-  
TETTURA  
SONORA**

