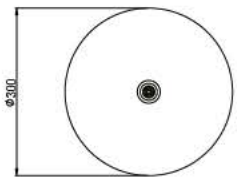
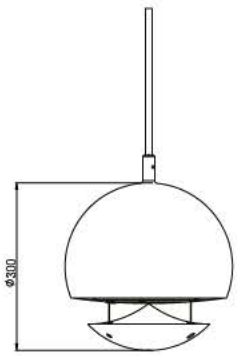


# SPHERINA\_AIR



## FULL RANGE SOUND OUTPUT

**Speaker type**  
6" dual-concentric speaker

**Nominal impedance**  
8 Ω

**Crossover**  
two way on board

**Frequency range**  
60-20,000 Hz (-6dB)

**Sensitivity (1W-1m)**  
88 dB

**Speaker Peak Power**  
300W

**Speaker RMS Power**  
150W

**Recommended amplifier power**  
200W (Class D)

## SPECIFICATIONS

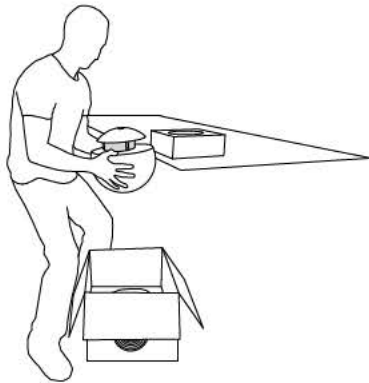
**Material**  
Concrete in four finishings:  
Black, gray, red and white.

**Mechanic material**  
Stainless steel

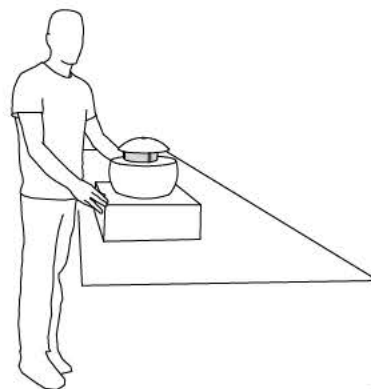
**Dimensions**  
ø 300

**Weight**  
14 kg  
(without hanging system)

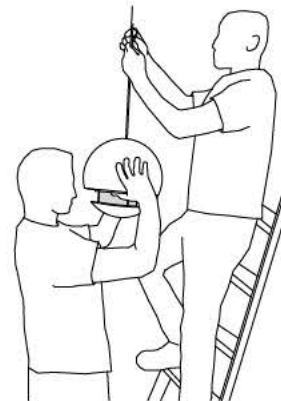
**Unpacking:** to remove the Spherina from the shipping box carefully follow these steps



**1.**  
Gently lift the loudspeaker from the packaging, holding the body and not the deflector.



**2.**  
Lay the loudspeaker over the supporting packaging piece, while checking the hanging system most appropriate for your case.



**3.**  
Always make sure to be always at least two people handling the Spherina\_air while connecting it. Secure the loudspeaker to the ceiling making sure not to push the deflector but holding its body.

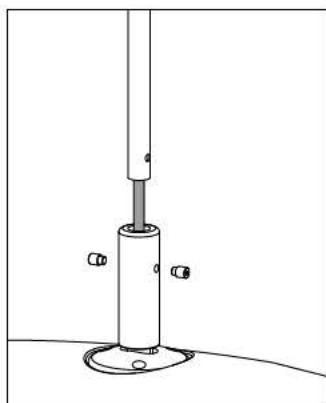


**4.**  
Once the module is safely mounted to the ceiling remove the foam protective spacers, always holding the diffused by its body and not deflector.

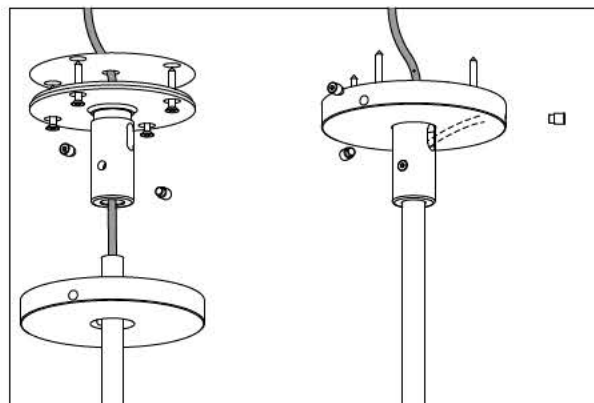
## Installation:

The Spherina\_Air can be installed with three different kinds of hanging solutions:

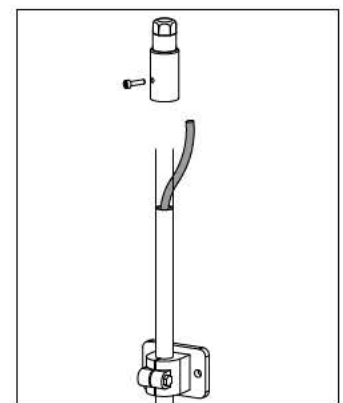
- **Armoured Cable**, suitable for both indoor and outdoor installations.
- **Steel Tube**, suitable for both indoor and outdoor installations.
- **Steel Cables**, particularly suitable for outdoor installations, especially among tree's branches.



Steel Tube > Connection to the body



Steel Tube > Connection to the ceiling - Indoor - (VPERG)

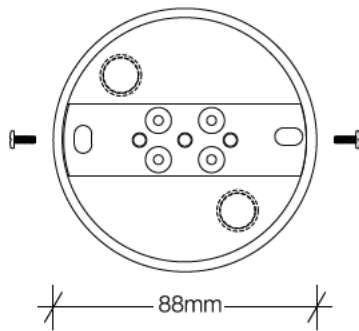


Steel Tube > Connection to the wall  
Indoor/Outdoor - (FK-12 clamp)

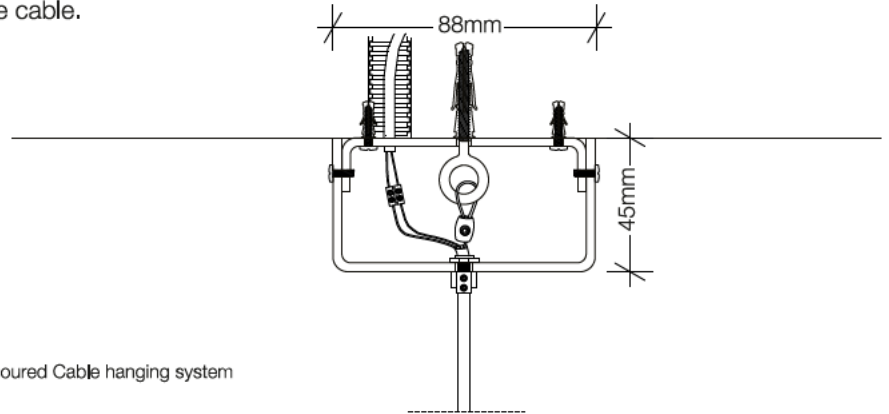
The hanging armoured cable is the perfect solution to mount the speaker with a really clean and sleek system, which combines the supporting steel cable and the audio cable within the same transparent skin. AS provides a stainless steel ceiling rose as the ideal solution to mount the Spherina with the armoured cable hanging solution.

Mount the plate on the ceiling with proper anchoring system, then install the "O ring", making sure that the bolt has a **weight capacity of at least 30Kg minimum**.

Strip the armoured cable properly and secure the steel cable into the hook using the provided cable clamp. Make audio connections using the polarity wiring instructions labeled on the cable.

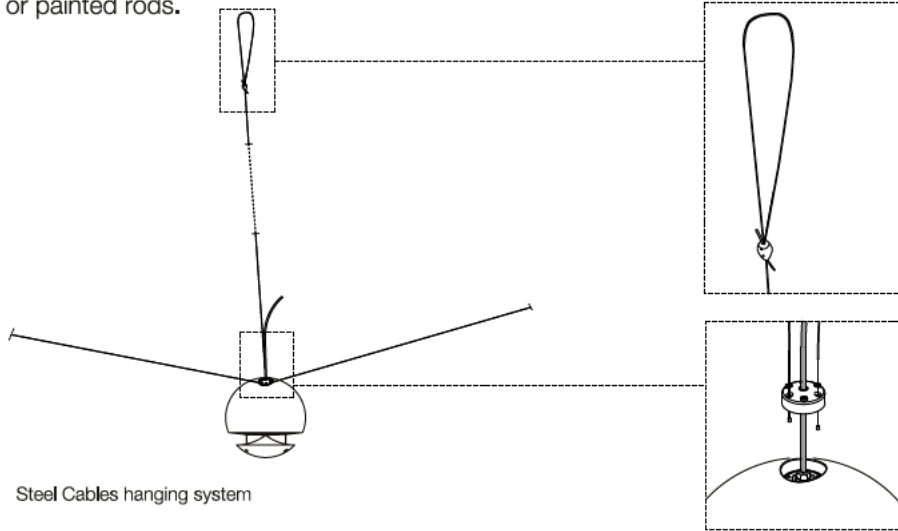


Armoured Cable hanging system



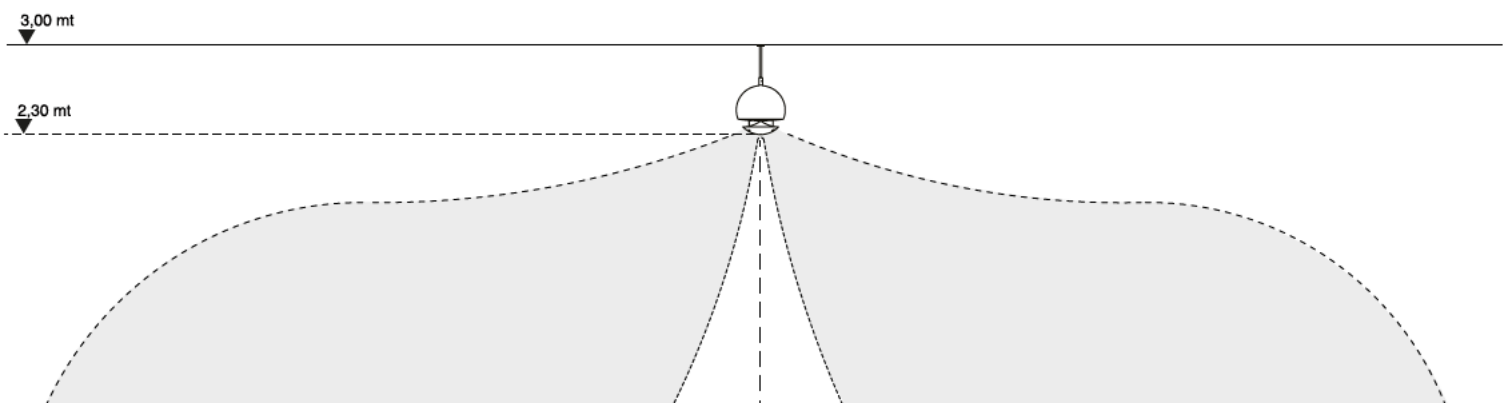
Modules intended to be mounted with steel cable between tree branches are delivered with the mechanic and cables already assembled, ready to be installed. The three divergent steel cables (ideally 120° apart from each other in plan) should be placed far apart as possible and fixed either around a branch or other supports (eyelet/eyebolt anchored to wall/structure) with a loop clamped with proper steel wire clamps.

It is recommended to use a soft plastic or rubber sleeve around the steel wire where it comes into contact with fragile surfaces such as the branches of a tree or painted rods.



Steel Cables hanging system

**Diffusion and directionality:** the Spherina\_Air is an omnidirectional loudspeaker characterized by a dual concentric 6" transducer, with coaxial mid-woofer and tweeter to create a virtual point source, linear and time coherent, providing a uniform omnidirectional coverage over the vertical axis



**Maintenance and care:** to keep your speakers beautiful as long as possible, we warmly recommend doing maintenance at least once a year. When not in use, sound modules should be appropriately covered or stored away; heavy duty protective covers are available from AS.

Please refer to the General Manual for appropriate instructions and note that any departure from our recommendations on care and cleaning, or any evidence of misuse or damages from ordinary wear and tear, will void all warranty claims.