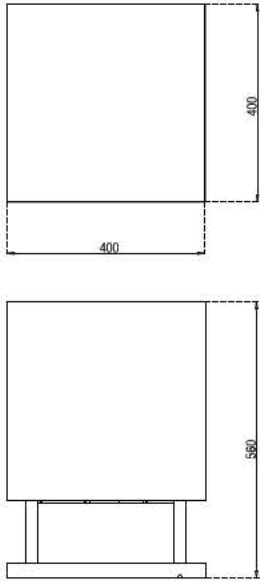


# CUBE 2LV SUB



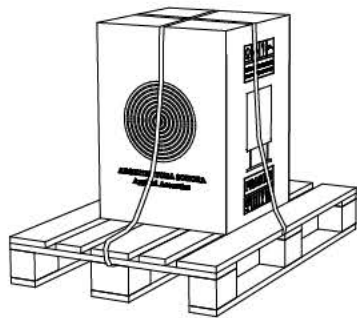
## SOUND OUTPUT

- Speaker type**  
12" Woofer
- Nominal impedance**  
4  $\Omega$
- Crossover**  
no crossover on board - DSP needed (LP 100 Hz 18 dB/oct min)
- Frequency range**  
20-150 Hz (-6dB)
- Sensitivity (1W-1m)**  
93 dB
- Speaker Peak Power**  
2000W
- Speaker RMS Power**  
1000W
- Recommended amplifier power**  
Min. 500W (Class D)

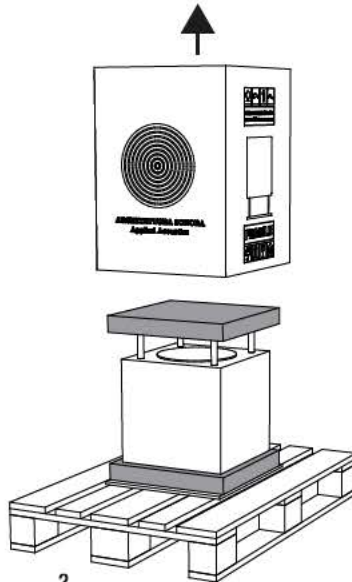
## SPECIFICATIONS

- Material**  
Concrete in four finishings: black, gray, red and white
- Mechanic material**  
Painted steel
- Dimensions**  
400 x 400 x 560 mm
- Weight**  
85 kg

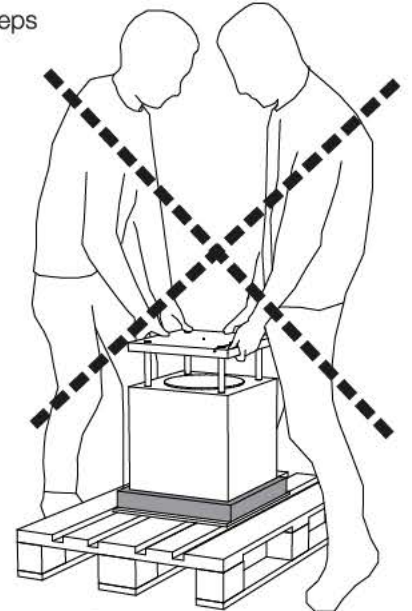
**Unpacking:** to remove the Cube2LV Sub from the shipping box carefully follow these steps



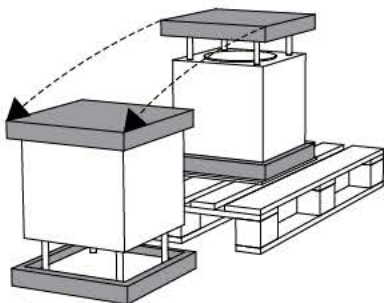
- 1.**  
Due to its size and weight, the Cube2LV Sub is shipped in a box secured to a pallet with strapping to allow its handling and movement into position with a forklift.



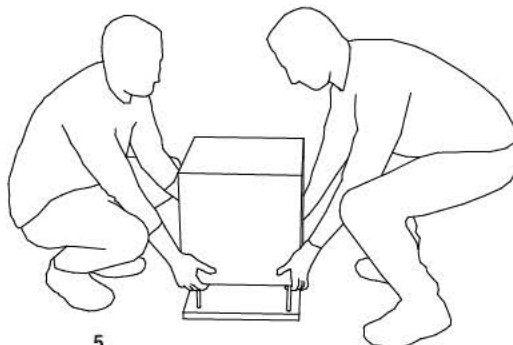
- 2.**  
After removing the strapping securing the box to the pallet, lift and remove the box like in the image, leaving on the foam protecting the base.



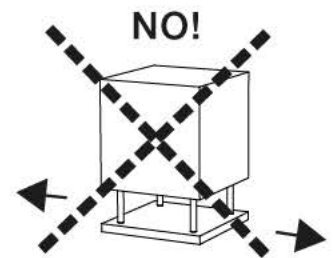
- 3.**  
While turning the speaker, NEVER handle by its base, but only by its body! Do not remove the protective foam till the speaker is finally positioned.



- 4.**  
Holding the Cube2LV from the concrete body, NEVER from the base, gently turn the module, tilting it into upper position, WITHOUT removing the protective foam.

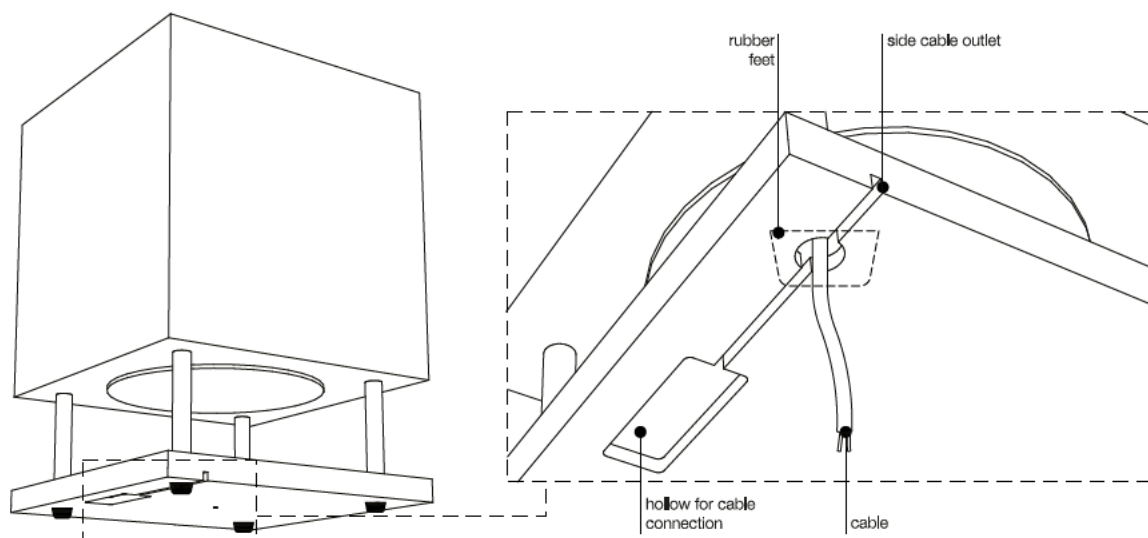


- 5.**  
Lifting the speaker holding its body remove the protecting foam and set it in its final position. Do not drag into position but always lift it as in the figure above.



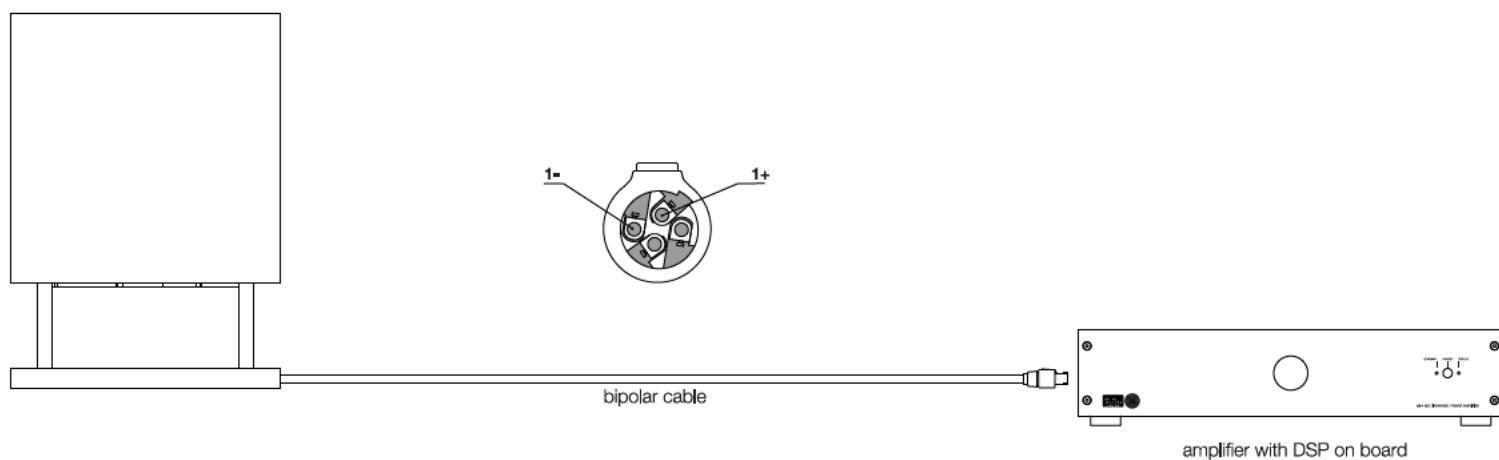
- 6.**  
To move the Cube2LV never drag it on the floor but ALWAYS lift it as in image 5.

**Installation:** to install the Cube 2LV on the ground you can take advantage of the new feature, a special base with hollow spaces carved below that allow - if necessary - the connection of the product in a practical and clean way:



**Diffusion and directionality:** Cube 2LV Sub is a subwoofer characterized by a 12" transducer, with a uniform omnidirectional emission. Getting the diffuser closer to walls or corners, you get an increase of the perceived sound 'intensity'.

**Connection:** the Cube 2LV, being a passive subwoofer, requires a proper set-up via an amplifier with DSP on board.



**Maintenance and care:** to keep your speakers beautiful as long as possible, we warmly recommend doing maintenance at least once a year. When not in use, sound modules should be appropriately covered or stored away; heavy duty protective covers are available from AS. Please refer to the General Manual for appropriate instructions and note that any departure from our recommendations on care and cleaning, or any evidence of misuse or damages from ordinary wear and tear, will void all warranty claims.