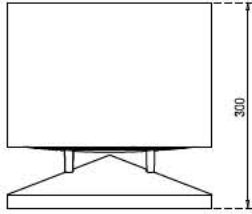
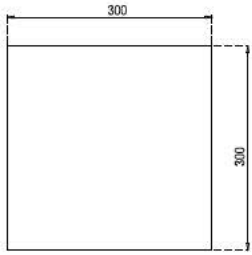


# CUBINO



## FULL RANGE SOUND OUTPUT

**Speaker type**  
6" dual-concentric speaker

**Nominal impedance**  
8  $\Omega$

**Crossover**  
two way on board

**Frequency range**  
55-20.000 Hz (-6dB)

**Sensitivity (1W-1m)**  
89 dB

**Speaker Peak Power**  
300W

**Speaker RMS Power**  
150W

**Recommended amplifier power**  
200W (Class D)

## SUBWOOFER SOUND OUTPUT

**Speaker type**  
6" Woofer

**Nominal impedance**  
8  $\Omega$

**Crossover**  
no crossover on board - DSP needed (HP 35 Hz 12dB/oct min; LP 120 Hz 12 dB/oct min)

**Frequency range**  
50-150 Hz (-6dB)

**Sensitivity (1W-1m)**  
89 dB

**Speaker Peak Power**  
300W

**Speaker RMS Power**  
150W

**Recommended amplifier power**  
200W (Class D)

## SPECIFICATIONS

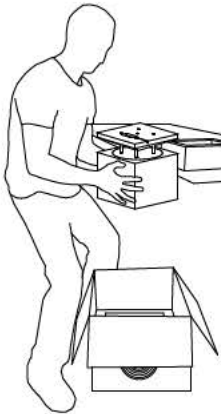
**Material**  
Concrete in four finishings: black, gray, red and white

**Mechanic material**  
Painted steel

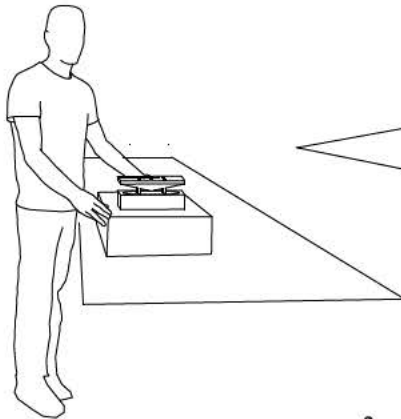
**Dimensions**  
300 x 300 x 300 mm

**Weight**  
30 kg

**Unpacking:** to remove the Cubino from the shipping box carefully follow these steps



1. Gently lift the loudspeaker from the packaging, holding the body and not the deflector.



2. Lay the loudspeaker over the supporting packaging piece.

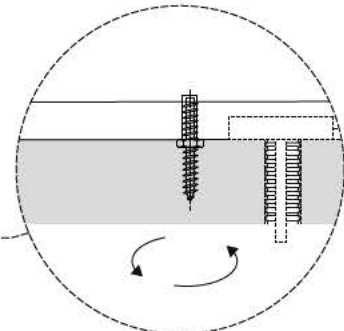
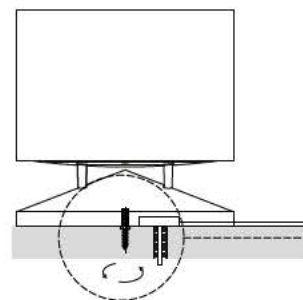
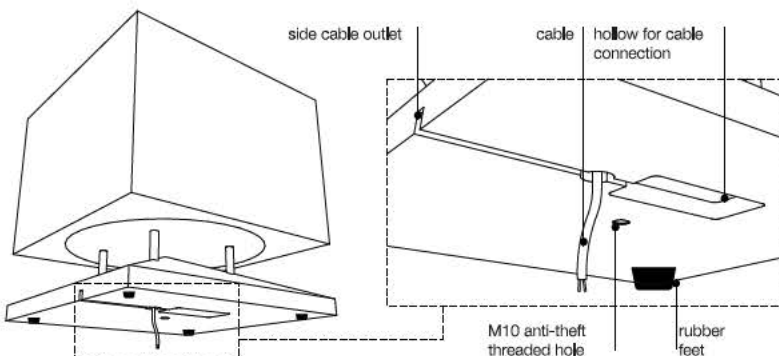


3. Holding the loudspeaker from the body lift it and gently turn it upside-down.



4. Gently place the loudspeaker into position on the floor laying on the steel plate.

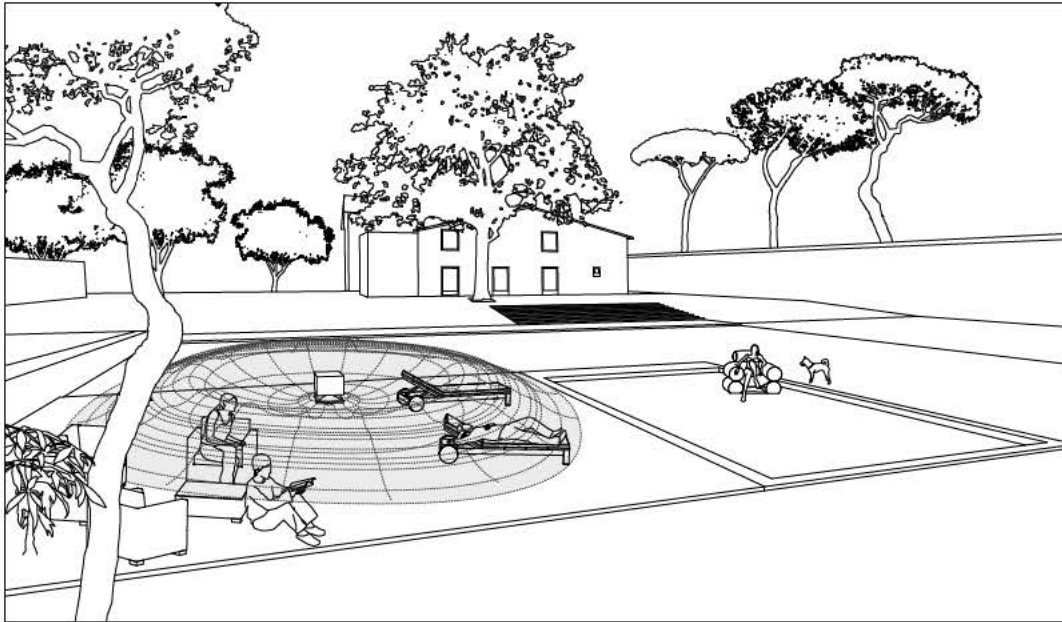
**Installation:** to install the Cubino on the ground you can take advantage of the new feature, a special base with hollow spaces carved below that allow - if necessary - the connection of the product in a practical and clean way:



Installation with M10 screw on hard-floors

## Diffusion and directionality:

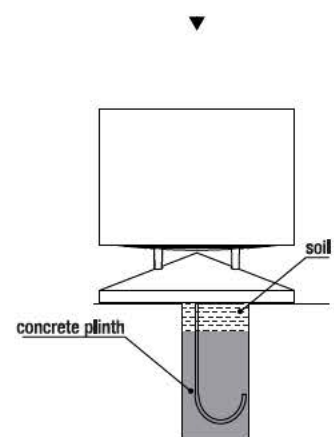
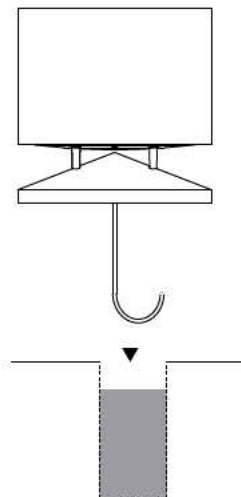
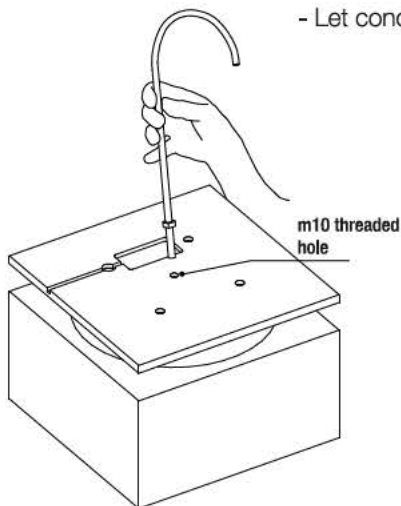
Cubino is a loudspeaker characterized by a dual-concentric 6" transducer, where the mid-woofer and the tweeter share the same axis, to achieve a virtually punctiform source, linear and time coherent, which, combined with the deflection system, ensures an ideal omnidirectional emission. The result is a very natural sound, not constrained to any fixed and obligated listening positions, with an amazing quality and clarity unusual in outdoor environments. It is recommended to place these loudspeakers, either indoor or outdoor, directly on the floor; indoor it is usually recommendable to position them at least 0,6-1 meter from each wall to enhance soundstage and clarity.



## Anti-theft system:

When installing the Cubino outdoor, especially in public spaces, specifically designed anti-theft systems are available on demand to secure the module to the ground. In the case of outdoor installations on grass or soil proceed as follows:

- Screw the hook into the hole below the base, securing it with the lock-nut.
- Dig one hole, approx. 50 cm deep, and fill it with concrete for approx. 2/3 of its depth.
- Put hook into hole till the base sits properly on the ground.
- Let concrete dry and fill hole with soil.



## Maintenance and care:

to keep your speakers beautiful as long as possible, we warmly recommend doing maintenance at least once a year. When not in use, sound modules should be appropriately covered or stored away; heavy duty protective covers are available from AS.

Please refer to the General Manual for appropriate instructions and note that any departure from our recommendations on care and cleaning, or any evidence of misuse or damages from ordinary wear and tear, will void all warranty claims.

