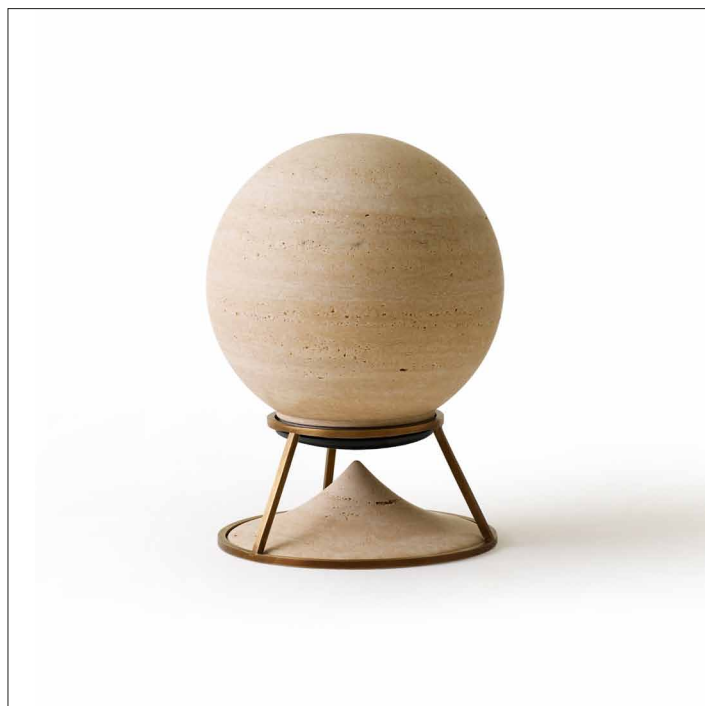


Classic lines and clean detailing make the **Sphere\_360** an **AS** design classic. Available in a wide range of materials and finishing with two different options for the base design, the Sphere adapts to any type of **interior design or landscape**.

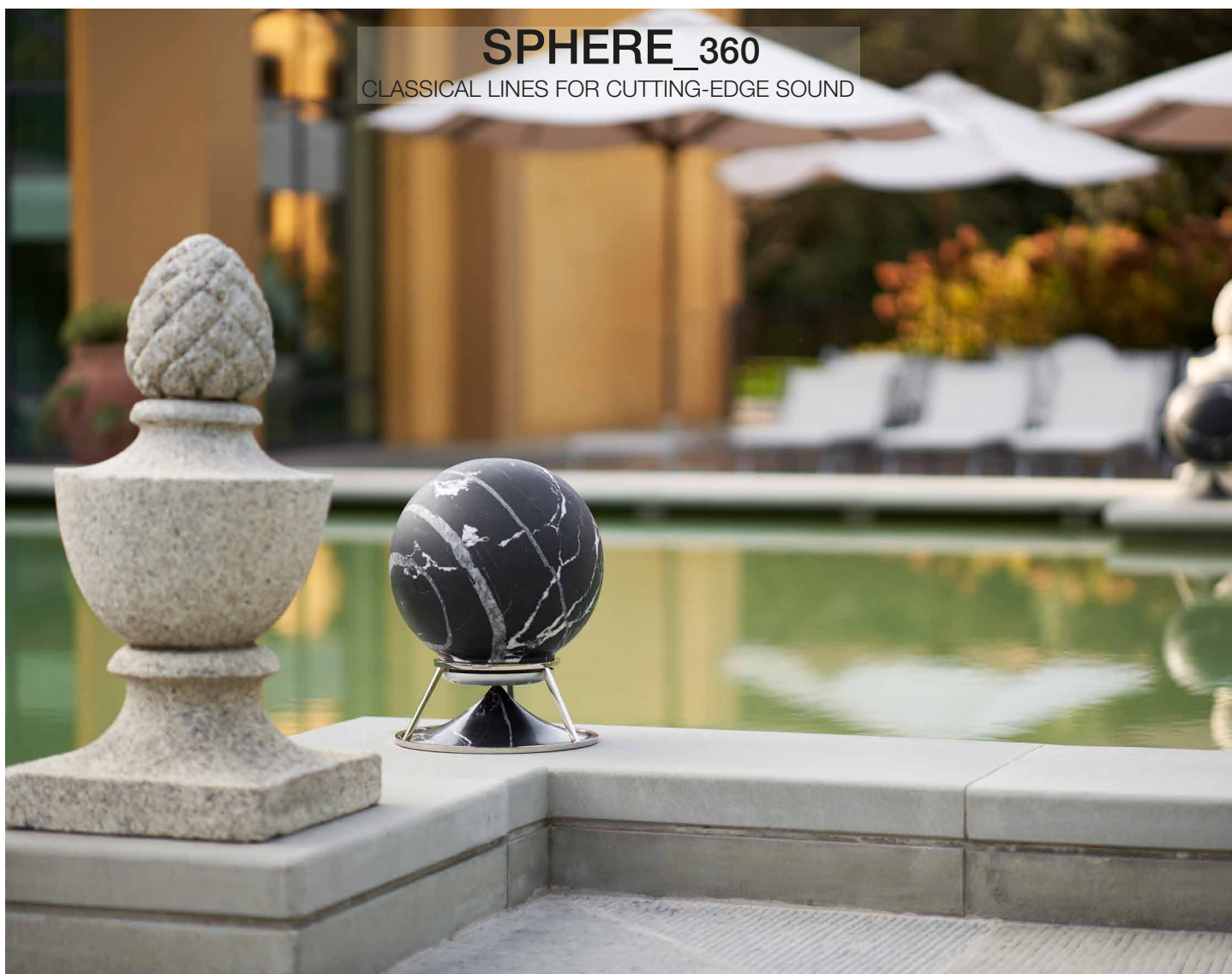
Omnidirectional full-range sound module characterized by a full and warm tonal balance, the Sphere meets the highest expectations for **high quality sound**, both **indoor and outdoor**.

The insertion of light for the **Lighting Mood** version creates a wonderful tension between sound, light and material making the sonic Sphere almost float into space. Available also in subwoofer version.

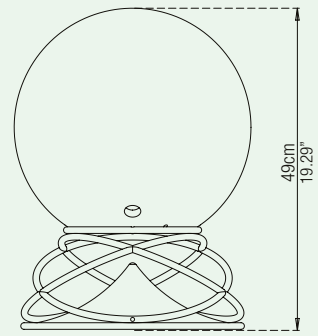
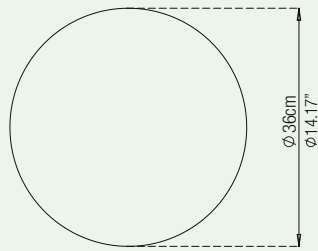
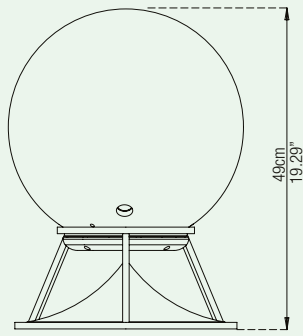


## SPHERE\_360

CLASSICAL LINES FOR CUTTING-EDGE SOUND



ARCHITETTURA SONORA



**Dimensions:**

49h x 36φ cm (19.29h x 14.17φ inches)

**Weight:**

31kg (68 pounds) in marble - 23kg (50 pounds) in concrete

**SPECIFICATIONS**

**Speaker Type:** 6" Dual Concentric

**Nominal Impedence:** 8Ω

**Crossover:** Two way on board

**Frequency Range:** 50-20.000HZ (-6dB)

**Sensitivity (1W-1m):** 89dB

**Speaker peak power:** 300W

**Speaker RMS POWER:** 150W

**Recommended amplifier power:** 200W (Class D)

**Lighting Mood specs (optional)**

Light Source Led module 1x7W

Rated Output 7W

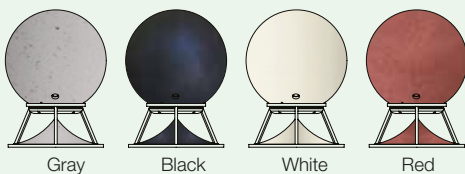
Power Supply 90-260V

Light Color Temperature 3000K

**BUILD YOUR OWN SPEAKER**

**BODY MATERIALS**

CONCRETE



MARBLE, TRAVERTINE, ALTERNATIVE STONES



CLAY



**BASE MATERIALS**

